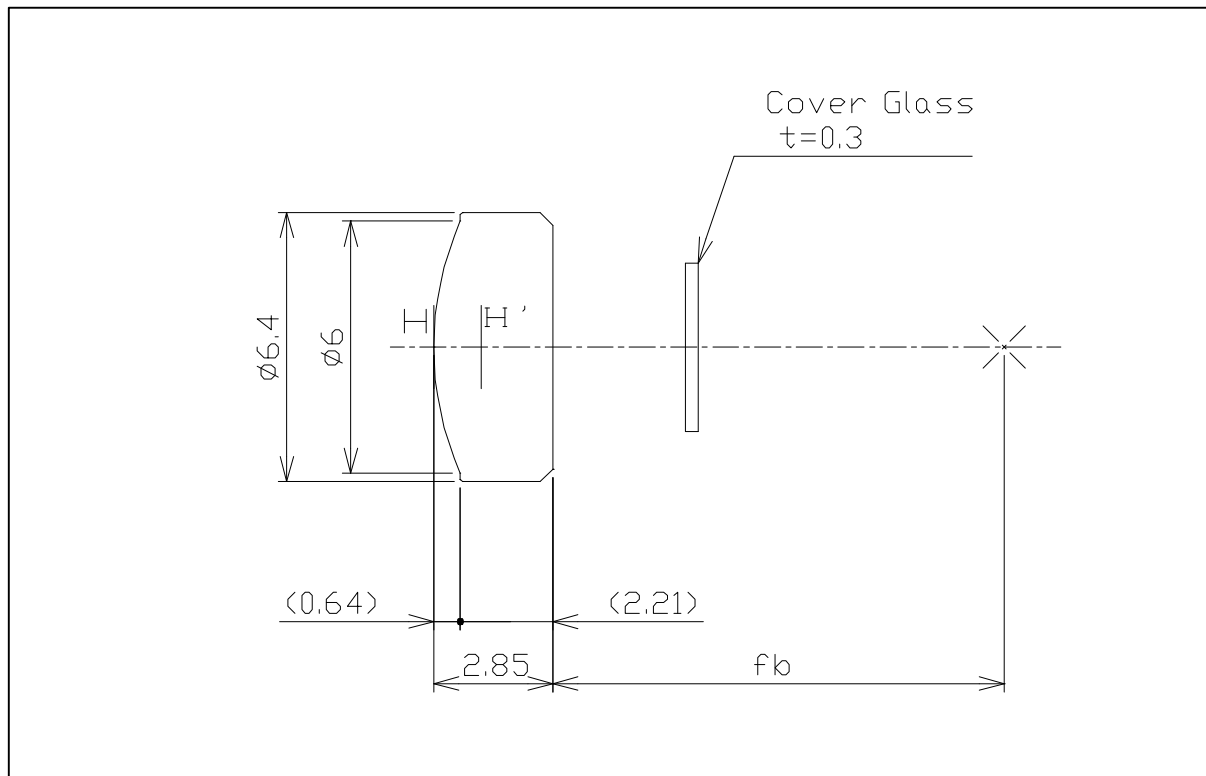


N.A. 0.215 f12.5



Collimator Lens : WV0201

## Design Specification

Wave Length (nm)	830	780	670	640	633
Focal Length (mm)	12.53	12.50	12.43	12.41	12.40
fb (mm)	10.81	10.79	10.73	10.70	10.70
Wave Front Error $\lambda$ rms	0.001	0.001	0.001	0.001	0.001
Chrom.Ab. ( $\mu$ m/nm)	0.45	0.50	0.72	0.81	0.84
Cover Glass	0.3mm n=1.51				
N.A.	0.215				
Image Height (mm)	0.2				
Transmittance	>97%				

- Note.
1. Tolerance of WFE is T.B.D.  
Example:  $0.04 \lambda$  rms available.
  2. O.D.  $\phi 6.4$  is T.B.D.
  3. fb value is with cover glass.